


Product Group **Profiled Single Skin Rooflights - GRP**

Declaration Reference: CE-GRP-017

1. Unique identification code of the product-type:
Light transmitting Agrisheet CE24 profiled GRP sheets for external roofs and walls.
Specific identification information is contained on the shipping / delivery notes.
2. Type, batch or serial number or any other element allowing identification of the construction product as required under Article 11(4) of the CPR:
Type number allowing identification is provided on the shipping / delivery note.
3. Intended use or uses of the construction product, in accordance with the applicable harmonized technical specification, as foreseen by the manufacturer:
Light transmitting Agrisheet CE24 GRP rooflight sheet for discontinuously laid external roof and wall coverings for buildings.
4. Name, registered trade name or registered trade mark and contact address of the manufacturer as required under Article 11(5):
Brett Martin Daylight Systems Ltd,
Sandford Close, Aldermans Green Industrial Estate, Coventry, CV2 2QU
Tel 024 76602022 Fax 024 76602745 Email: covsales@brettmartin.com
5. Where applicable, name and contact address of the authorised representative whose mandate covers the tasks specified in Article 12(2):
Bill Hawker, Technical Director, Brett Martin Daylight Systems Ltd,
Sandford Close, Aldermans Green Industrial Estate, Coventry, CV2 2QU
6. System or systems of assessment and verification of constancy of performance of the construction product as set out in CPR, Annex V:
System 4
7. In case of the declaration of performance concerning a construction product covered by a harmonized standard:
EN 1013 : 2012

Declaration Reference: CE-GRP-017

8. Declared performance:

	
Brett Martin Daylight Systems Ltd Coventry, CV2 2QU	
14	
EN 1013 : 2012	
Light transmitting Agrisheet CE24 GRP rooflight sheet for discontinuously laid external roof and wall coverings for buildings.	
Weight Grade (defined in accordance with NA to BS EN 1013) - CE24	
External fire performance	NPD - UK fire ratings declared separately
Reaction to fire	NPD - UK fire ratings declared separately
Water vapour permeability	1.5 x 10 ⁻⁵ mg/(m h Pa)
Water / air permeability	Pass
Release of dangerous substances	NPD
Dimensional tolerances	Pass
Shatter properties (safe breakability) as:	
- Small hard body impact resistance	NPD
- Large soft body impact resistance (assembly)	NPD Performance to ACR(M)001 declared separately in accordance with NA to BS EN 1013 and NARM NTD03 (2014)
Mechanical resistance	NPD
Flexural tensile strength	NPD
Resistance to fixings	See fixing instructions TB235
Durability, as variation (after ageing):	
- of yellowness index	NPD
- of the light transmission	NPD
- on flexural strength for:	
> flexural strength, and	NPD
> flexural modulus	NPD

9. The performance of the product identified in points 1 and 2 is in conformity with the declared performance in point 8. This declaration of performance is issued under the sole responsibility of the manufacturer identified in point 4.

Signed for and on behalf of the manufacturer by:

Name Bill Hawker Function Technical Director

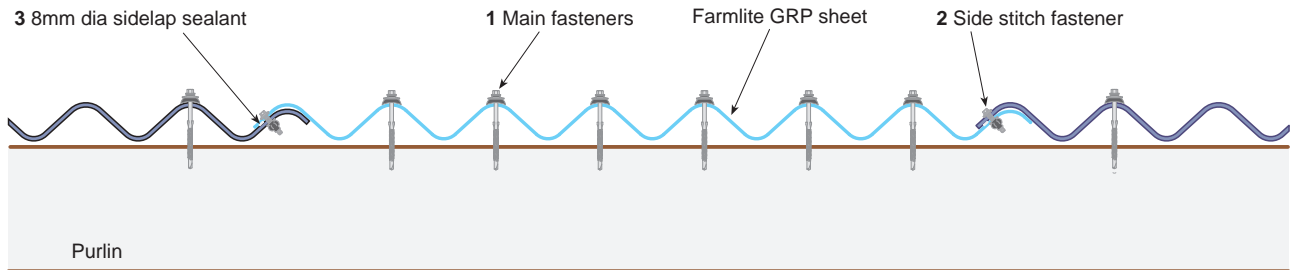


Signature Place & date of Issue BMDS – 17-Apr-14



Daylight Systems

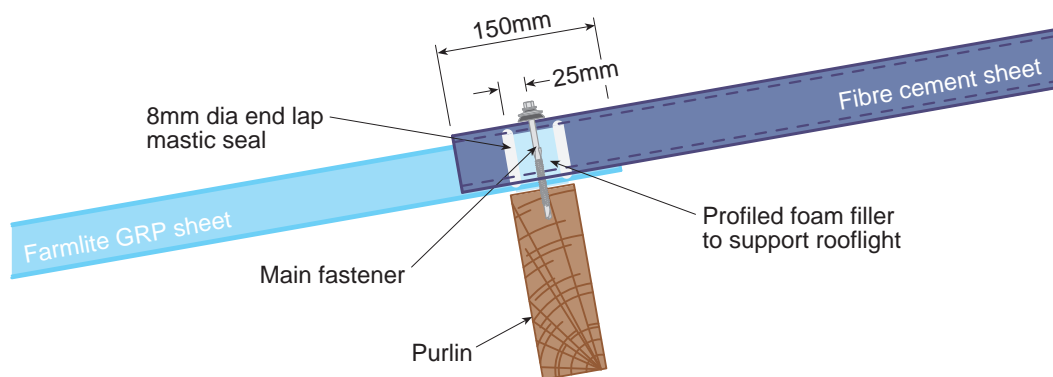
INSTALLATION INSTRUCTIONS: Farmlite GRP sheet



- 1 **MAIN FASTENERS**
6.5mm diameter BAZ type fasteners fitted with flexible rubber washer. Do not over tighten fixings. There should be six main fixings per purlin, fitted through the crown of the corrugation (not side lap corrugations). * see below for typical references
- 2 **SIDE STITCH FASTENER - ROOFLIGHT OVERLAP**
Side stitch at 300mm to 400mm centres on the side of the corrugation as shown, using expanding rubber bolt fasteners.* see below for typical references
- 3 **SIDELAP SEALANT**
Single strip of 8mm dia UV stable pale coloured cross linked butyl mastic (BMDS:GCA) - positioned on the side of the corrugation just outside the line of sidelap fasteners.
- 4 **ENDLAP SEALANT**
All endlaps should be sealed with 2 rows of 8mm dia, UV stable, pale coloured cross linked butyl mastic (BMDS:GCA). Positioned 25mm either side of the line of fasteners.

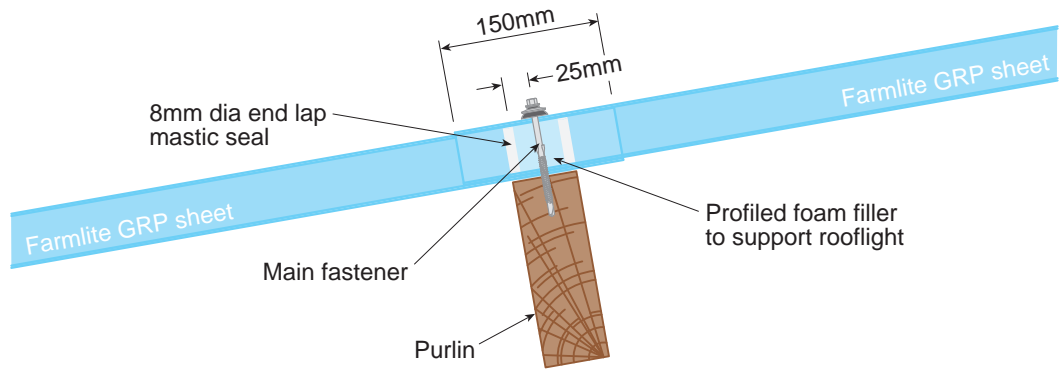
Farmlite GRP rooflights are designed for use on a roof pitch of 6° or more with fibre cement sheeting on all sides; for non-standard applications such as rooflights installed in banks along the roof, consult BMDS Technical.

ENDLAP - FIBRE CEMENT SHEET OVER ROOFLIGHT

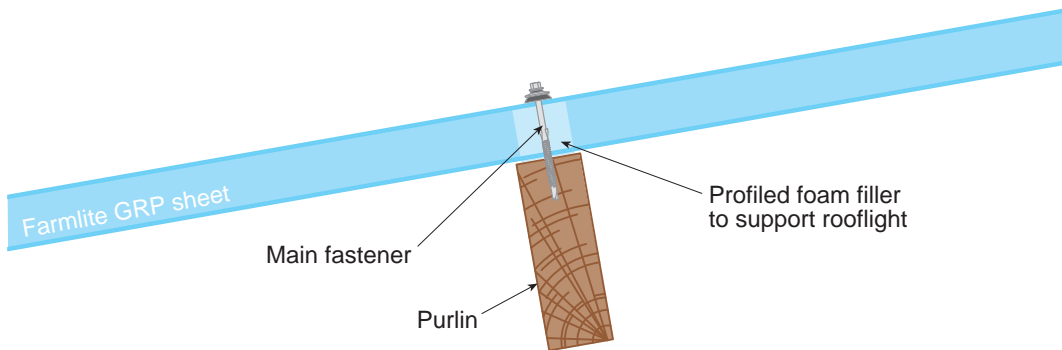


*	SFS	EJOT
Main Fasteners	SCFW-BAZ-6.5x95	JT2-FZ-F-6.5x100-FZD
Underlap Side Stitch	LLP-T-T16-9.5x25	CF15-RLS-25

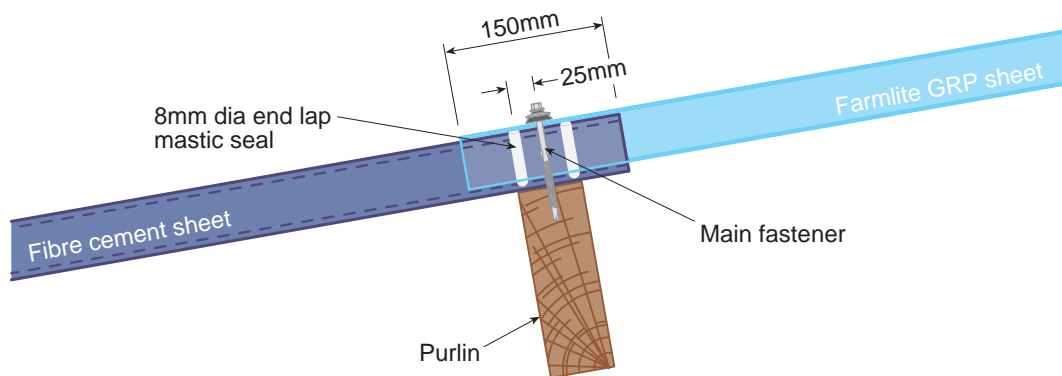
ENDLAP - ROOFLIGHT TO ROOFLIGHT



MID SPAN ARRANGEMENT



END LAP - ROOFLIGHT OVER FIBRE CEMENT SHEET



Daylight Systems

Alderman's Green Ind Est **Coventry** CV2 2QU Tel: 024 7660 2022 daylight@brettmartin.com www.daylightsystems.com

Brett Martin Daylight Systems operates a policy of continuous product improvement, and reserves the right to alter specifications at any time without notice. Every effort has been taken to ensure all details contained in this document are correct at time of going to press but this document should be used only as a guide and does not in any way form part of a contract or warranty. It is the customer's responsibility to ensure that the product is suitable for the actual conditions of use, which are beyond the control of Brett Martin Daylight Systems.



Daylight Systems

PRODUCT SAFETY AND HANDLING DATA SHEET

Agrisheet

Manufacturer: Brett Martin Daylight Systems Ltd
Sandford Close
Alderman's Green Industrial Estate
Coventry
CV2 2QU

Product Description: Agrisheet is a translucent glass reinforced UV stable polyester sheet, it is also available coloured or as an opaque sheet. Agrisheet is manufactured to BS4154 under our ISO9001:2008 approved design and manufacturing system. They have been tested for fire retardance in accordance with BS476, and are available with fire ratings of SAA or SAB to BS476 part3, Class 1 or Class 3 to BS476 part7 or Class 0 to BS476 part6.

Handling: Agrisheet has sharp edges which can easily cut the hands. Industrial gloves should be worn when handling the sheets.

As sheets have a large surface area they become difficult to handle in windy conditions. Special care should be taken when carrying them up and down ladders and across exposed rooftops. To facilitate handling individual sheets may be rolled up parallel to their corrugations and taped or strapped.

Stacking and Storage: Agrisheet is delivered loose unless otherwise specified. Sheets should be stacked on flat ground, on 75mm wide wooden battens (free from nails and debris) not more than 1.5m apart. Different profiles on the same stack must be separated with battens, located directly above each other. Maximum stack height should be 1.5m. Care should be taken to ensure that no sharp objects are under the sheets.

Agrisheet should be stored indoors if possible, or under cover to prevent damage from rain and sun. If this is not feasible, then the sheets should be covered with a tarpaulin and carefully weighted or banded. (It should be noted that strong winds will tend to lift even fairly heavy weights off stacks, so banding is preferable.)

Maintenance: In typical UK conditions we would expect these sheets to remain serviceable in excess of 25 years, subject to correct maintenance.

Rooflights, fixings and sealants should be inspected for damage every 2-3 years. Fixings should be retightened or replaced as necessary. Rooflights should be cleaned if necessary using warm water and mild detergent to prevent any growth which may attack the protective surface, or dirt accumulation which could lead to heat build up. Use of harsh chemicals or abrasive cleaners should be avoided.

Rooflights should not be painted over with an opaque covering. This can be dangerous, and may cause premature failure.

CDM Regulations: CDM Regulations require that all risks are assessed and minimised, but do not define any specific measures required to achieve this. HSE Guidance Notes to CDM Regulations refer to unprotected fragile roofing materials as a typical hazard to be avoided.

Agrisheet will be non-fragile when new and fully fixed when the following sheet weights are used (in accordance with NARM Guidance Note 2006/1 Table 1); for sinusoidal profiles 2.4kg/m² will achieve class C non-fragility; for trapezoidal profiles 3.0kg/m² will achieve class B.

Health Data: Agrisheet roofing sheets present no hazards to health, however precautions should be taken when cutting sheets to ensure the airborne dust concentrations remain within the occupational exposure limit as recommended by the Health and Safety Executive in the latest edition of guidance note EH40¹ (reprinted annually).

inhalation: There are no significant risks from inhalation, except when cutting quantities of sheets with power tools, when exposure to large amounts of dust is possible. The glass fibres used to make Agrisheet are of such dimensions that they are not respirable and long term study has revealed no increase in respiratory diseases amongst workers exposed to fibres of these dimensions². However irritation to the upper respiratory tract may be caused by exposure to high concentrations of airborne glass fibre dust. The effect should be transitory and leave no permanent disability but the use of face masks is recommended wherever dust is likely to be a problem.

skin contact: Direct contact with dust on the skin may cause slight irritation. The severity will vary from individual to individual but in all cases may be reduced or eliminated by wearing suitable protective clothing.

ingestion: GRP sheeting may be considered biologically inert.

eye contact: Treatment for particles of GRP dust caught in the eye is as for any other form of dust. Flush the eye with copious quantities of clean water and seek medical attention. When using powered cutting tools always wear goggles.

Fire and Explosion Agrisheet contains fire retardant agents and has been tested in accordance with BS476.
Hazard Data: If exposed to high temperatures it can be made to burn and will give off noxious fumes when it does.

1 Currently 10mg/m³
2 Proceedings of the inhaled Particles Conference 1985. "Mortality Among a Cohort of Man-Made Mineral Fibre (MMMMF) Production workers in Seven European Countries. Extension of the follow-up through 31 December 1982"

Coventry
Alderman's Green Ind Est
Coventry
CV2 2QU

024 7660 2022

www.daylightsystems.com



Daylight Systems